



inQUIRE™ Intercom System

SLEEK, SIMPLE DESIGN KEEPS THE FAMILY CONNECTED

inQUIRE INTERCOM SYSTEM

Broadcast system — talk from any unit to all others.

Interfaces with other subsystems, such as audio, for added features.

Separate microphone and high-quality speaker deliver a clear, crisp sound.



Cat 5-based system reduces the cost of every intercom installation.

F7602-WH

PRODUCT SPOTLIGHT

The **inQUIRE Desktop Unit** provides a free standing expansion to the On-Q inQUIRE Intercom System. The unit is connected to the system via a 12' Cat 5e jumper cable (provided). Typical applications will be a desktop in an office or on a nightstand.

FEATURES

- Page, monitor, do not disturb and hands-free reply
- Multi-level volume control
- Rubber grips to prevent sliding

DESKTOP UNIT AVAILABLE FINISHES



Black



Silver



F9018-SR



F9018-BK

FEATURES

- Talk/page from every unit
- Monitor babies, small children or elderly
- Monitor multiple rooms at the same time
- Sleek, updated design
- Hands-free reply
- Do not disturb feature
- Door release
- High-quality speaker
- LEDs show in-use, mute or monitor
- Perfectly color-matched wall plates
- Multi-level volume control
- Backlit keypad
- High-quality microphone for superior sound

CALL FOR MORE INFORMATION:
(800) 321-2343

On-Q/Legrand introduces the next generation of intercoms. Offering a sleek, modern look that fits in a standard decorator wall plate, On-Q inQUIRE™ Intercom Systems are an affordable option for every home because they are Cat 5-based. This also allows On-Q inQUIRE Intercoms to integrate seamlessly with other On-Q subsystems, such as our lyriQ™ Audio System.



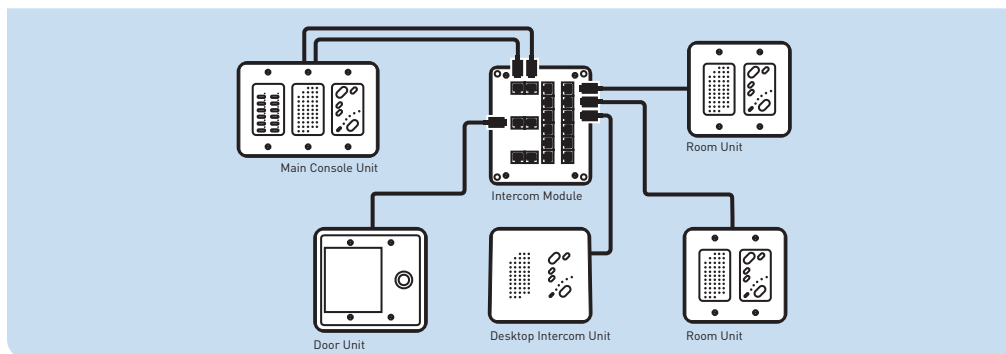
inQUIRE INTERCOM HIGHLIGHTS

- **CAT 5-BASED** Reduce the cost of installation through the use of Cat 5. No need to carry special intercom wire! Standard Cat 5 wire — from your choice of manufacturers — is all that you'll need. For quick and simple installation, all of the intercom stations feature convenient punchdown blocks.
- **HOME RUNS FROM THE STRUCTURED WIRING PANEL** Why would you want to run separate intercom wires to a station in the kitchen? Improve your efficiency by running standard Cat 5 from each room to the structured wiring panel.
- **SLEEK, UPDATED LOOK** Want an intercom that doesn't look like it was made in the 70s? The inQUIRE Intercom offers a modern design that trims with a standard decorator wall plate — perfect for any décor.

inQUIRE INTERCOM COMPONENTS

PART #	DESCRIPTION
F7602-WH	Intercom Kit (Shiny Brass door unit, White main and room units)
F7602-LA	Intercom Kit (Shiny Brass door unit, Lt. Almond main and room units)
F7603-WH	Intercom Kit (Antique Brass door unit, White main and room units)
F7603-LA	Intercom Kit (Antique Brass door unit, Lt. Almond main and room units)
F7593-XX	Module & Main Console (avail. in White-WH, Ivory-IV & Lt. Almond-LA)
F7637-XX	Indoor/Room Unit (avail. in White-WH, Ivory-IV & Lt. Almond-LA)
F7596-XX	Door Unit (avail. in White-WH, Sh. Brass-SB, Ant. Brass-AB & Brushed Stainless-BS)
F7641-XX	Outdoor/Patio Unit (avail. in White-WH, Sh. Brass-SB, Ant. Brass-AB & Brushed Stainless-BS)
F9018-XX	Desktop Unit (avail. in Silver-SR & Black-BK)
F7601	Category 5 Door Chime
ICAI2X	Category 5 Intercom Audio Interrupt Module

TIPS & TECHNOLOGY: inQUIRE INTERCOM APPLICATION



For additional technical or application-specific information, call (800) 321-2343 or visit our website at www.onqlegrand.com.

Distributed by:

inQUIRE COMPONENTS



F7593-WH
inQUIRE Module & Main Console



F7637-WH
inQUIRE Room Unit



F7641-WH
inQUIRE Patio Unit



F7596-BS
inQUIRE Door Unit



ICAI2X
Intercom Audio Interrupt
Module

on·Q
legrand®

www.onqlegrand.com