

**CADDY®**

# CADDY® ROD LOCK



**ERICO®**

# CADDY® ROD LOCK

CADDY® ROD LOCK is an innovative threaded rod mounting system from ERICO that provides a quick and economical solution for installing electrical and mechanical systems supported by threaded rod. The system includes the CADDY ROD LOCK beam clamp and channel nut.

With its breakthrough “push-install” design, the patent-pending CADDY ROD LOCK simplifies the installation of threaded rod. Simply push the threaded rod through the mounting hole and it instantly locks into position. The system can even be used on threaded rod with slightly damaged threads

or minor burrs, helping to save time by minimizing the amount of deburring that is usually required prior to installation.

The unique features of the CADDY ROD LOCK system help to reduce the installation time of threaded rod by up to 60% compared to conventional fasteners. In many common applications, the system also requires less installation hardware.

CADDY ROD LOCK is another innovation from ERICO designed to help the construction industry complete projects faster, easier and more efficiently.

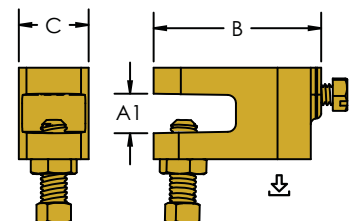
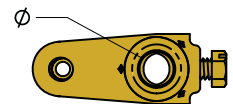
## Beam Clamp



- Works with slightly damaged threads and minor burrs on the threaded rod
- Reduces installation time up to 60%
- Load capacity up to 500 lbs (3/8" rod) or 2200 N (M10 rod) - depending on flange thickness
- UL® 203 & UL 2239 Approved
- FM® Approved

Part Number	Description	Rod Size Ø	Flange Thickness; Load Rating (A1)	Flange Thickness; Load Rating (A2)	B	C	Max. Pipe Diameter Supported by Clamp & Threaded Rod	Standard Packaging Quantity
CRLB37EG	3/8" CADDY® ROD LOCK Beam Clamp	3/8"	1/8" - 5/16"; 250 lbs	3/8" - 7/16"; 500 lbs	2"	.8"	4"	100
390001	M8 CADDY® ROD LOCK Beam Clamp	M8	3 mm - 9 mm; 1100 N	9.5 mm - 11.5 mm; 1400 N	51.0 mm	21.0 mm	DN50	100
390002	M10 CADDY® ROD LOCK Beam Clamp	M10	3 mm - 9 mm; 1100 N	9.5 mm - 11.5 mm; 2200 N	51.0 mm	21.0 mm	DN100	100

- CRLB37EG is FM Approved when installed with the set screw on the load side only.
- 390002 is FM Approved when installed with the set screw on the load side only.
- CADDY® ROD LOCK is not to be used with hot-dipped galvanized hardware/components.



# CADDY® ROD LOCK

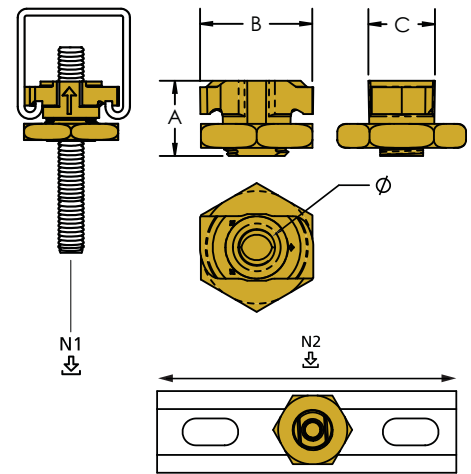
## Channel Nut



- Works with slightly damaged threads and minor burrs on the threaded rod
- Reduces installation time up to 34%
- Load capacity up to 1200 lbs (3/8") or 5000 N (M8, M10)
- Electro-galvanized ductile iron

Part Number	Description	Rod Size Ø	A	B	C	Max Recommended Load (N1)	Slip Load (N2)	Standard Packaging Quantity
CRLS37EG	3/8" CADDY® ROD LOCK Channel Nut	3/8"	.53"	1.4"	.5"	1200 lbs	400 lbs	100
390003	M8 CADDY® ROD LOCK Channel Nut	M8	23.0 mm	35.0 mm	13.0 mm	5000 N	1750 N	100
390004	M10 CADDY® ROD LOCK Channel Nut	M10	23.0 mm	35.0 mm	13.0 mm	6000 N	1750 N	100

- CADDY® ROD LOCK is not to be used with hot-dipped galvanized hardware/components.



# ERICO®



[www.erico.com](http://www.erico.com)



**AUSTRALIA**  
Phone 1-800-263-508  
Fax 1-800-423-091



**CHINA**  
Phone +86-21-3430-4878  
Fax +86-21-5831-8177



**HUNGARY**  
Phone 06-800-16538  
Fax +39-0244-386-107



**NORWAY**  
Phone 800-100-73  
Fax 800-100-66



**SWITZERLAND**  
Phone 0800-55-86-97  
Fax 0800-55-96-15



**BELGIUM**  
Phone 0800-757-48  
Fax 0800-757-60



**DENMARK**  
Phone 808-89-372  
Fax 808-89-373



**INDONESIA**  
Phone +62-21-575-0941  
Fax +62-21-575-0942



**POLAND**  
Phone +48-71-349-04-60  
Fax +48-71-349-04-61



**THAILAND**  
Phone +66-2-267-5776  
Fax +66-2-636-6988



**BRAZIL**  
Phone +55-11-3623-4333  
Fax +55-11-3621-4066



**FRANCE**  
Phone 0-800-901-793  
Fax 0-800-902-024



**ITALY**  
Phone 800-870-938  
Fax 800-873-935



**SINGAPORE**  
Phone +65-6-268-3433  
Fax +65-6-268-1389



**UNITED ARAB EMIRATES**  
Phone +971-4-881-7250  
Fax +971-4-881-7270



**CANADA**  
Phone +1-800-677-9089  
Fax +1-800-677-8131



**GERMANY**  
Phone 0-800-189-0272  
Fax 0-800-189-0274



**MEXICO**  
Phone +52-55-5260-5991  
Fax +52-55-5260-3310



**SPAIN**  
Phone 900-993-154  
Fax 900-807-333



**UNITED KINGDOM**  
Phone 0808-2344-670  
Fax 0808-2344-676



**CHILE**  
Phone +56-2-370-2908  
Fax +56-2-369-5657



**HONG KONG**  
Phone +852-2764-8808  
Fax +852-2764-4486



**NETHERLANDS**  
Phone 0800-0200-135  
Fax 0800-0200-136



**SWEDEN**  
Phone 020-790-908  
Fax 020-798-964



**UNITED STATES**  
Phone 1-800-753-9221  
Fax +1-440-248-0723

**WARNING**  
ERICO products shall be installed and used only as indicated in ERICO's product instruction sheets and training materials. Instruction sheets are available at [www.erico.com](http://www.erico.com) and from your ERICO customer service representative. Improper installation, misuse, misapplication or other failure to completely follow ERICO's instructions and warnings may cause product malfunction, property damage, serious bodily injury and death.

**WARRANTY**  
ERICO products are warranted to be free from defects in material and workmanship at the time of shipment. NO OTHER WARRANTY, WHETHER EXPRESS OR IMPLIED (INCLUDING ANY WARRANTY OF MERCHANTABILITY OR FITNESS FOR A PARTICULAR PURPOSE), SHALL EXIST IN CONNECTION WITH THE SALE OR USE OF ANY ERICO PRODUCTS. Claims for errors, shortages, defects or nonconformities ascertainable upon inspection must be made in writing within 5 days after Buyer's receipt of products. All other claims must be made in writing to ERICO within 6 months from the date of shipment or transport. Products claimed to be nonconforming or defective must, upon ERICO's prior written approval in accordance with its standard terms and procedures governing returns, promptly be returned to ERICO for inspection. Claims not made as provided above and within the applicable time period will be barred. ERICO shall in no event be responsible if the products have not been stored or used in accordance with its specifications and recommended procedures. ERICO will, at its option, either repair or replace nonconforming or defective products for which it is responsible or return the purchase price to the Buyer. THE FOREGOING STATES BUYER'S EXCLUSIVE REMEDY FOR ANY BREACH OF ERICO WARRANTY AND FOR ANY CLAIM, WHETHER SOUNDING IN CONTRACT, TORT OR NEGLIGENCE, FOR LOSS OR INJURY CAUSED BY THE SALE OR USE OF ANY PRODUCT.

**LIMITATION OF LIABILITY**  
ERICO excludes all liability except such liability that is directly attributable to the willful or gross negligence of ERICO's employees. Should ERICO be held liable its liability shall in no event exceed the total purchase price under the contract. ERICO SHALL IN NO EVENT BE RESPONSIBLE FOR ANY LOSS OF BUSINESS OR PROFITS, DOWNTIME OR DELAY, LABOR, REPAIR OR MATERIAL COSTS OR ANY SIMILAR OR DISSIMILAR CONSEQUENTIAL LOSS OR DAMAGE INCURRED BY BUYER.